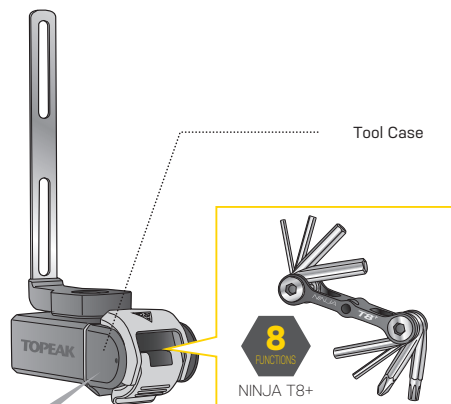




### NINJA T ROAD with NINJA T8+

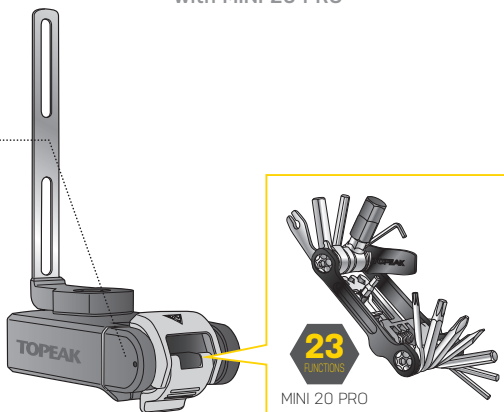
Art No. TNJ-TR



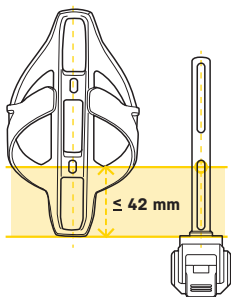
Also Fits: **MINI 10** (TT2557)

### NINJA T MOUNTAIN with MINI 20 PRO

Art No. TNJ-TM

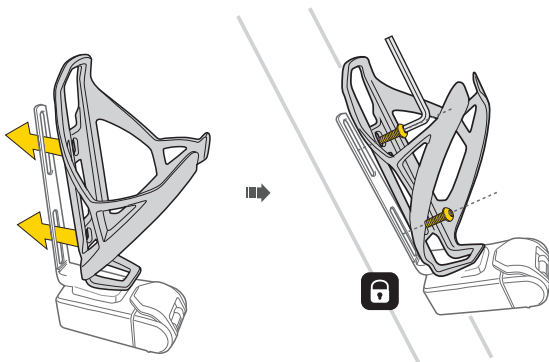


## HOW TO INSTALL ON BIKE

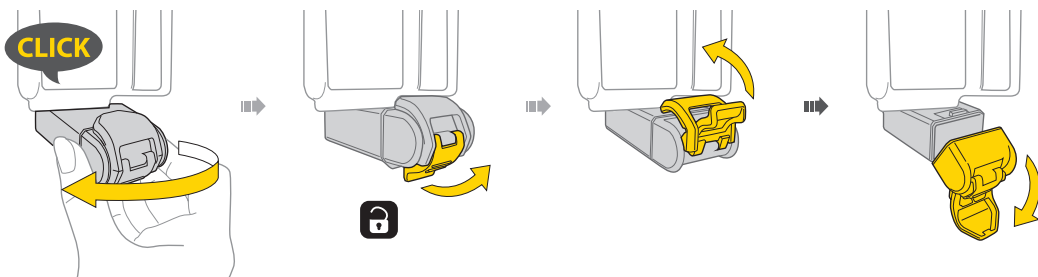


### CAGE COMPATIBILITY

Ninja T is only compatible with cages that have a distance of 42 mm or less between lower mounting bolt hole centerline and bottom of bottle cage

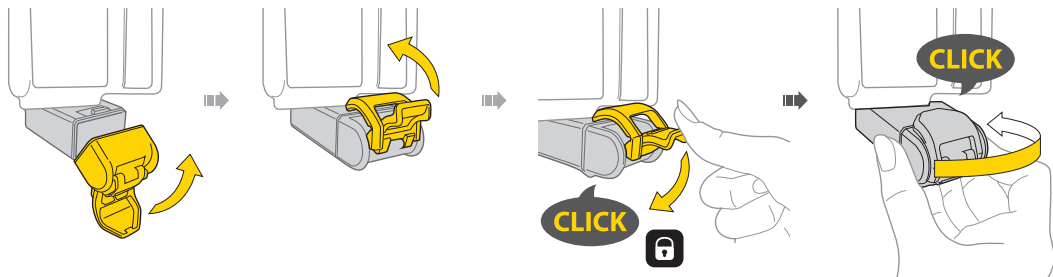


## HOW TO OPEN THE CASE





### HOW TO CLOSE THE CASE



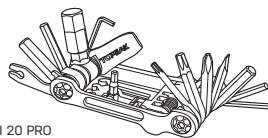
### WARNING

- 1 Periodically check that Ninja T components are still securely fastened to your bike.
- 2 Lubricate and maintain tool with Teflon® based lubricant as needed. To prevent rusting, keep tool dry.
- 3 Avoid bodily harm when closing the tool case.

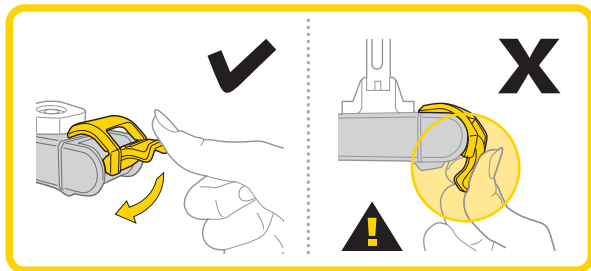
### SPARE PARTS



MINI 10  
Art no. TT2557



MINI 20 PRO  
Art no. TT2536B (Black)  
TT2536GD (Gold)  
TT2536S (Silver)



### WARRANTY

2-year Warranty: All mechanical components against manufacturer defects only.

#### Warranty Claim Requirements

To obtain warranty service, you must have your original sales receipt. Items returned without a sales receipt will assume that the warranty begins on the date of manufacture. All warranties will be void if the product is damaged due to user crash, abuse, system alteration, modification, or used in any way not intended as described in this manual.

\* The specifications and design are subject to change without notice.

Please contact your Topeak dealer with any questions. For USA customer service, call: 1-800-250-3068  
www.topeak.com