

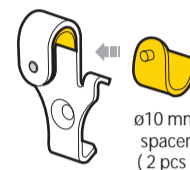
* Tool Required: 3mm Allen key

fits $\varnothing 12$ mm racks



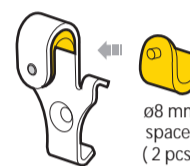
without spacer

fits $\varnothing 10$ mm racks



$\varnothing 10$ mm spacer (2 pcs)

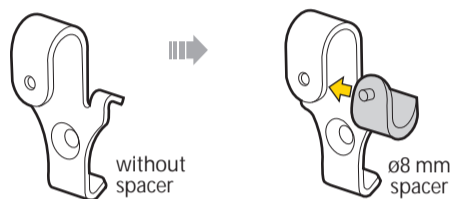
fits $\varnothing 8$ mm racks



$\varnothing 8$ mm spacer (2 pcs)

INSTALL SPACER

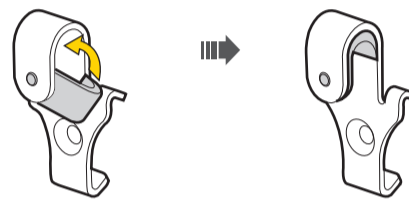
fits $\varnothing 12$ mm racks



without spacer

$\varnothing 8$ mm spacer

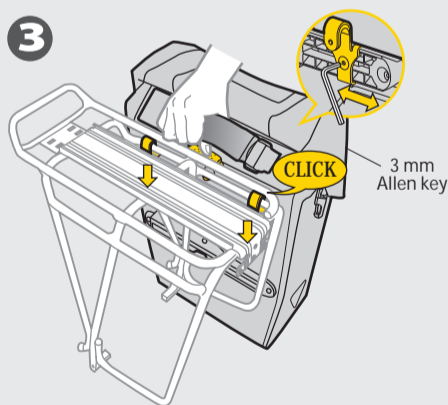
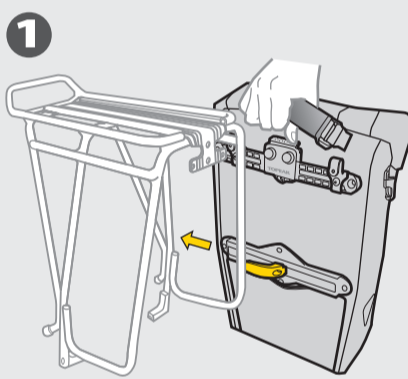
fits $\varnothing 8$ mm racks



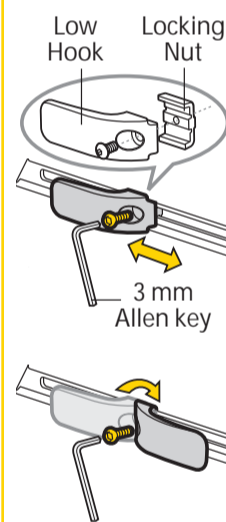
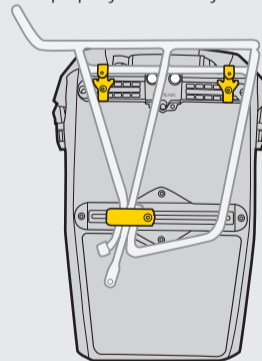
INSTALLATION



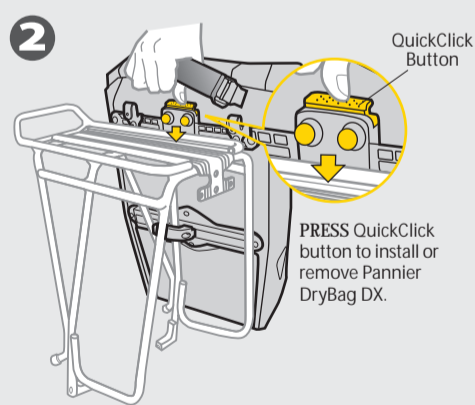
Recommended:
Use a pair of Pannier DryBag DX at the same time for better balance.



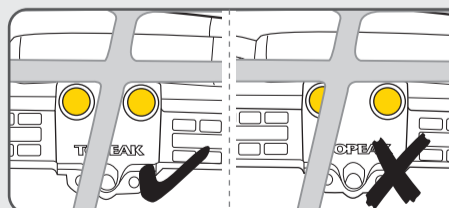
4 Make sure the Hooks are installed on rack properly and securely as shown.



Adjust lower hook to a suitable position by loosening the adjusting bolt. After the installation make sure there is enough clearance between the bags and feet as shown.



PRESS QuickClick button to install or remove Pannier DryBag DX.



When installing Pannier DryBag DX on rack, make sure the fixing lock is positioned correctly around middle rack leg and is not prevented from locking properly.

NOTES:

After pressing quick click button to install Pannier DryBag DX on rack, make sure all hooks are securely locked on the rack to prevent bag from swinging out and causing damage or possible injury.

WARRANTY

2-year Warranty: All mechanical components against manufacturer defects only.

Warranty Claim Requirements

To obtain warranty service, you must have your original sales receipt. Items returned without a sales receipt will assume that the warranty begins on the date of manufacture. All warranties will be void if the product is damaged due to user crash, abuse, system alteration, modification, or used in any way not intended as described in this operating manual.

* The specifications and design are subject to change without notice.

Please contact your Topeak dealer with any questions.
For USA customer service call : 1-800-250-3068
www.topeak.com

Copyright © Topeak, Inc. 2011