

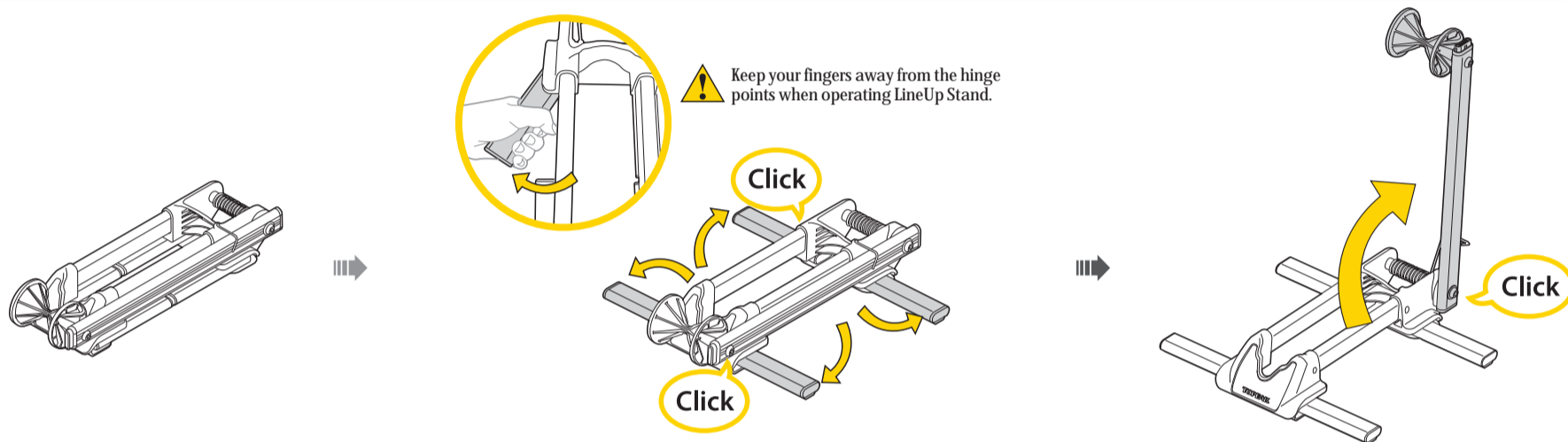
IMPORTANT NOTES

- Works for 20"~29" size wheel.
- Please read all instructions before first use.

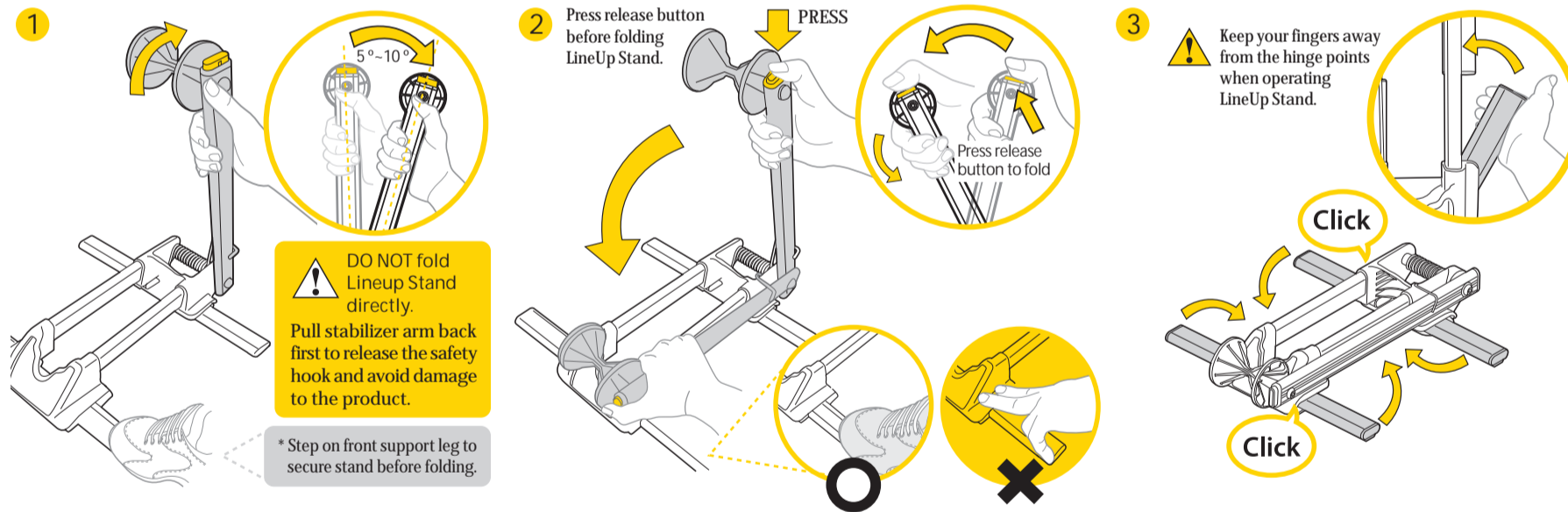
⚠ WARNING

- LineUp Stand is designed for bike storage only.
- Press Release Button before folding LineUp Stand.
- Keep your fingers away from the hinge points when operating LineUp Stand.
- Not recommended for use on grass, loose dirt, gravel, uneven or soft surfaces.
- If your bike has a babyseat installed, remove babyseat before storing bike on LineUp Stand.
- Remove any large or heavy bicycle accessories (handlebar bag, rack bag, large saddle bag, pannier bags, etc.) that may affect LineUp Stand's proper function.
- Expand support legs completely before storing bike.
- Do not use LineUp Stand on a bike with a flat tire(s). Doing so may cause your bike to fall over and damage it.

OPERATION-OPEN

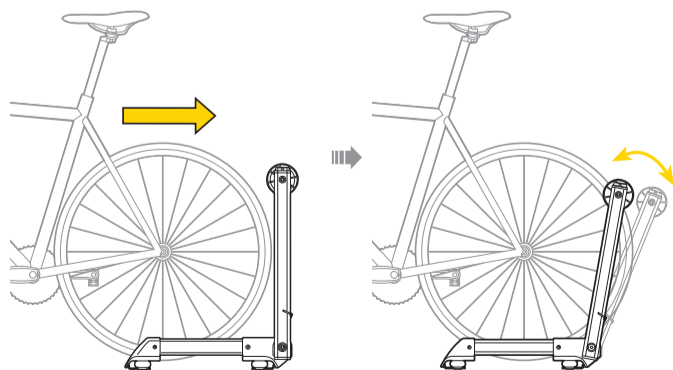


OPERATION-FOLD

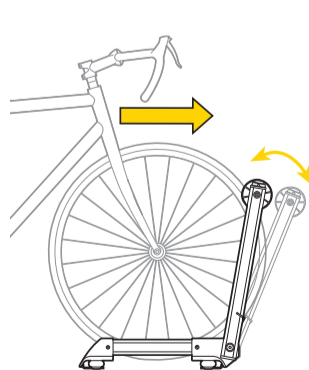


INSTALLATION

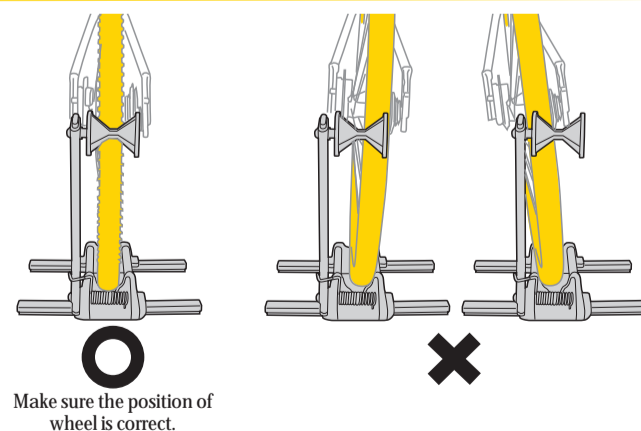
Rear Wheel



Front Wheel



IMPORTANT NOTE



WARRANTY

2-year Warranty: All mechanical components against manufacturer defects only.
Warranty Claim Requirements

To obtain warranty service, you must have your original sales receipt. Items returned without a sales receipt will assume that the warranty begins on the date of manufacture. All warranties will be void if the product is damaged due to user crash, abuse, system alteration, modification, or used in any way not intended as described in this manual.

* The specifications and design are subject to change without notice.

Topeak products are available only from professional bicycle shops.
Please contact your nearest Topeak authorized bicycle dealer for any questions.
For customers in the USA, call: 1-800-250-3068

Website: www.topeak.com

Copyright © Topeak, Inc. 2011

M-TW014-GB 05/11